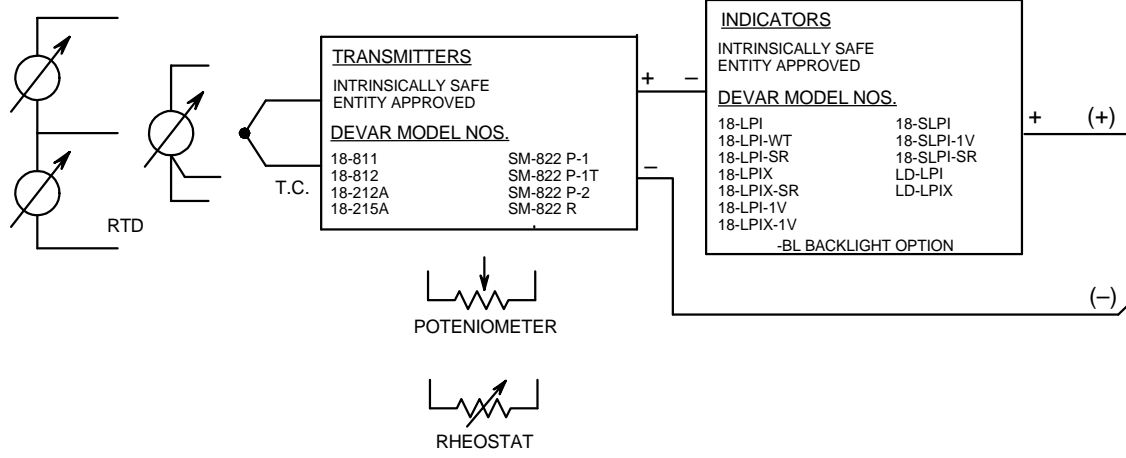


DWG NO. 515107 SH 1

REV	DESCRIPTION	DATE	APPROVED
H	ADD 18-SLPI, 18-SLPI-IV AND 18-SLPI-SR, ECN 3081A	02-08-95	AG REV
I	ADD LD-LPI, ECN 3154	01-22-98	AG E RELEASE ECN 2826B
J	ADD SM-822P-1, SM-822P-1T, SM-822P-2 & SM-822R, ECN 3208	09-09-99	AG F ADD 18-LPI-WT, ECN 3027
K	ADD LD-LPIX & -BL BACKLIGHT OPTION, ECN 3319		G 32V WAS 30V, ECN 3081

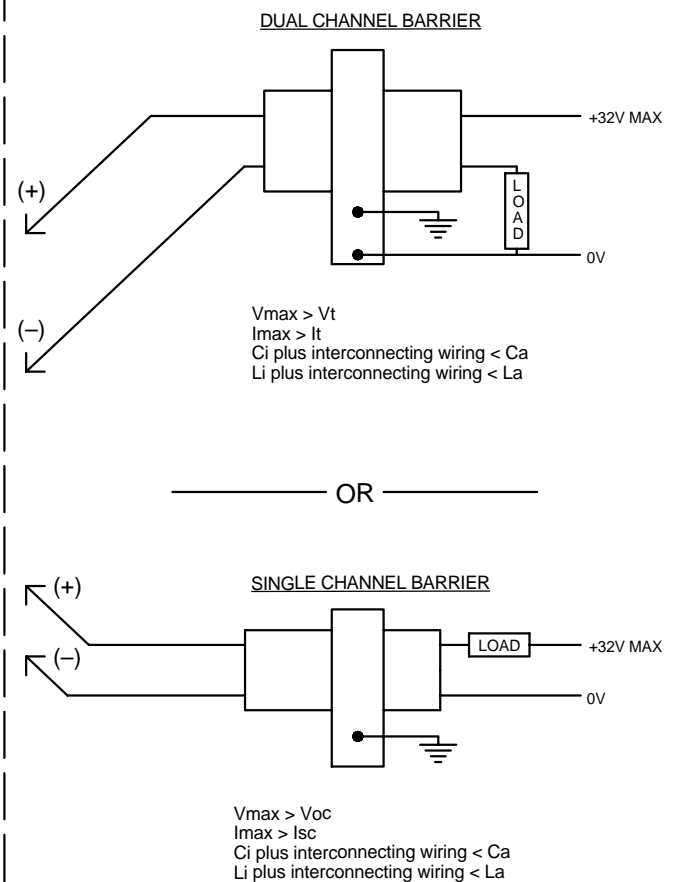
HAZARDOUS LOCATION



NOTES:

- HAZARDOUS LOCATION RATINGS: CLASS I, DIVISION 1, GROUPS A, B, C, D
- ENTITY PARAMETERS: $V_{max} = 32\text{ V}$, $I_{max} = 150\text{ mA}$, $C_i = 0\text{ }\mu\text{f}$, $L_i = 0\text{ mH}$
- INSTALLATION OF THE SYSTEM MUST BE IN ACCORDANCE WITH ANSI/ISA RP12.6
- CONTROL ROOM INSTRUMENTATION TO OPERATE AT LESS THAN 250V rms
- DO NOT CONNECT mA METER TO TRANSMITTER MONITOR TERMINALS UNLESS AREA IS KNOWN TO BE SAFE
- THE ABOVE UNITS ARE NONINCENDIVE FOR CLASS I, DIVISION 2, GROUPS A, B, C, D LOCATIONS WITH A V_{max} OF 32V. BARRIERS ARE NOT REQUIRED FOR DIVISION 2 OPERATION.
- NO REVISIONS WITHOUT PRIOR FACTORY MUTUAL APPROVAL

NON-HAZARDOUS LOCATION



This Drawing is the sole property of DEVAR Inc., and is submitted on the understanding that the contents hereof are not published and are not to be disclosed to third persons without prior permission.	UNSPECIFIED DIMENSION TOLERANCE DECIMAL +/- 0.005" FRACTION +/- 1/64" ANGLE +/- 1/2 DEGREE	CONTRACT NO.	706 Bostwick Avenue, Bridgeport, Conn. 06605 TEL: (203) 368-6751 FAX: (203) 368-3747	
	MATERIAL -N/A-	PREPARED RNT 08-16-05	DEVAR Inc.	
	FINISH -N/A-	CHECKED MECH ELEC DESIGN		
	NEXT ASSY. NO. NONE	APPROVED	APPROVED	SIZE B DRAWING NO. 515107 SCALE NONE WT

INTERCONNECTING DIAGRAM TO INTRINSICALLY SAFE APPARATUS